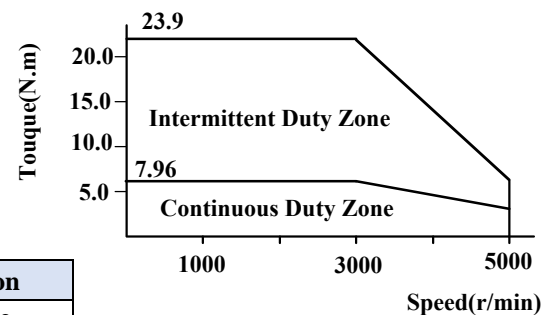
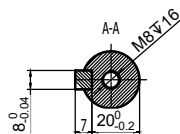
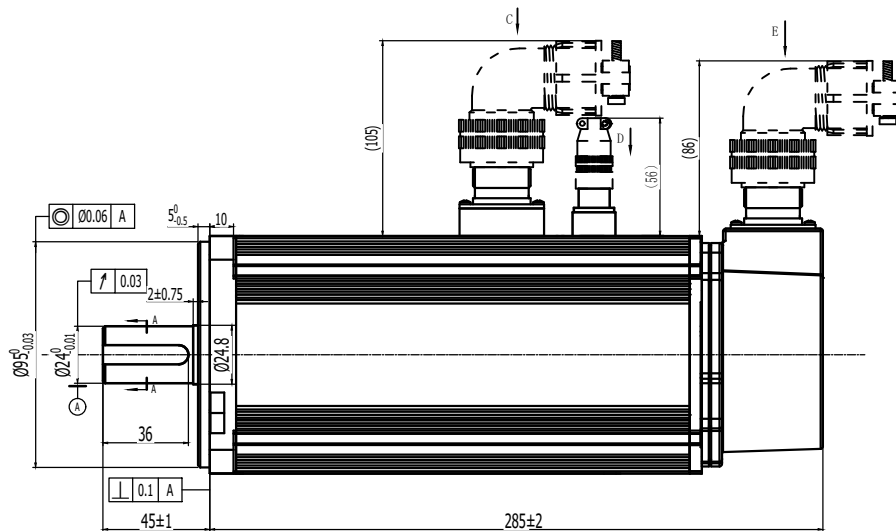
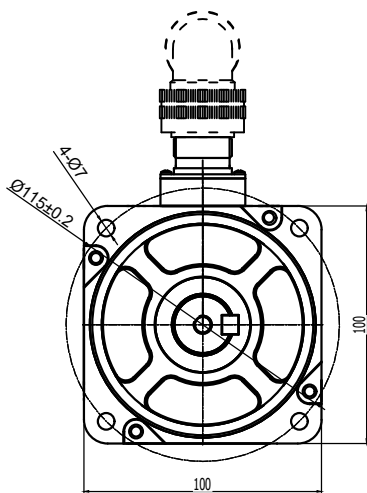
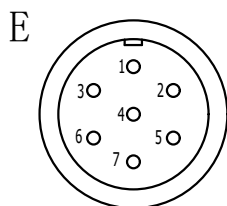


Rated Voltage (Vac)	<b>400</b>
Rated Power (w)	<b>2500</b>
Rated Torque (N.m)	<b>7.96</b>
Peak Torque (N.m)	<b>23.9</b>
Rated Speed (rpm)	<b>3000</b>
Peak Speed (rpm)	<b>5000</b>
Rated Current (Amp)	<b>7.6</b>
Peak Current (Amp)	<b>22.8</b>
Torque Const (N.m/Amp)	<b>1.05</b>
Back EMF Const(V/Krpm)	<b>69.4±5%</b>
Resistance(Ω)	<b>0.8±10%</b>
Inductance(mH)	<b>8.22±20%</b>
Inertia (kg*m <sup>2</sup> *10 <sup>-4</sup> )	<b>4.16</b>
Poles	<b>8</b>
Encoder type	<b>23bit optical</b>
IP rating	<b>IP65</b>
Mass (Kg)	<b>9.26</b>
Allowable radial load(N)	<b>490</b>
Allowable thrust load(N)	<b>98</b>

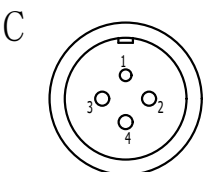
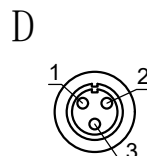


Brake Specification	
Capacity	22w
Rated Voltage	24vdc±10%
Holding Torque	>=9N.m
Braking Voltage	>18.6V
Releasing Voltage	< 1.5V
Braking time	<100ms
Releasing time	<40ms



Assignment of power connector with brake							
Pos	1	2	3	4	5	6	7
Signal	PE	+5V	GND	SD+	SD-	E+	E-
Color	/	Red	Black	Blue	Yellow	Brown	White

Assignment of power connector			
Pos	1	2	3
Signal	0V	24V	/



Assignment of power connector				
Pos	1	2	3	4
Signal	PE	U	V	W
Color	Yel/Gre	Red	Yellow	Blue

Leadshine Technology Co .Ltd

**ELM2L-2500LA100ET-H**

100mm,low inertia,2500w servo motor  
23bit optical encoder, with brake